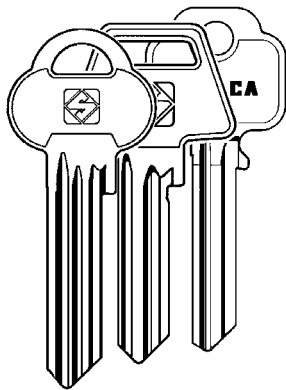


PER:
FOR:

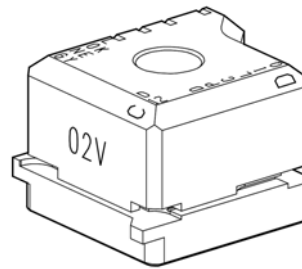
ASSA (S)



6-7 PIN KEYS

(DP, CLIQ)
(D-12)

OPTIONAL



D743271ZB

02V clamp for ASSA type keys (long keys, D-12*, DP, CLIQ)
Morsetto 02V per chiavi tipo ASSA (chiavi lunghe, D-12*, DP, CLIQ)
Spannbacke 02V für ASSA Schlüsseltyp (lange Schlüssel, D-12*, DP, CLIQ)
Etau 02V pour clés type ASSA (clés longues, D-12*, DP, CLIQ)
Mordaza 02V para llaves de tipo ASSA (llaves largas, D-12*, DP, CLIQ)
Mordente 02V para chaves do tipo ASSA (chaves longas, D-12*, DP, CLIQ)

*D-12: Key duplicable by code only
*D-12: Chiave duplicabile solo a codice
*D-12: Kopierenschlüssel nur zur Code
*D-12: Clé à copier uniquement par code
*D-12: Llave duplicable sólo a código
*D-12: Chave duplicable somente por código

PER:
FOR:

CISA (I)



CS70P

CS70

CS62

ASTRAL
system 357

AB48
ABUS

OPTIONAL

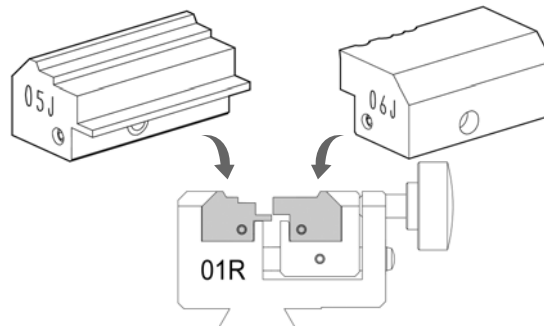


D743261ZB

05J Jaw
Ganascia 05J
05J Backe
Mâchoire 05J
Quijada 05J
Garra 05J

D743262ZB

06J Jaw
Ganascia 06J
06J Backe
Mâchoire 06J
Quijada 06J
Garra 06J



STANDARD



D742867ZB

Cutter 01D
Fresa 01D
Fräser 01D
Fraise 01D
Fresa 01D
Fresa 01D

ASTRAL system:

Codes tables protected by a password issued by Silca on receipt of the manufacturer's authorization.

Tabella codici protette da password rilasciata da Silca a fronte di autorizzazione del costruttore.

Code-Tabellen geschützt durch von Silca geliefertes Password auf Herstellersgenehmigung.

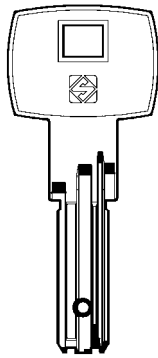
Tables de codes protégées par un password qui est émis par Silca sur autorisation du Constructeur.

Tablas codigos protegidos por password que expide Silca contra autorización del constructor.

Tabelas de códigos protegidas por uma password emitida por Silca contra autorização do fabricante.

PER:
FOR:

DOM (D) CORBIN (I)



DM144

IX6 KG Profile 121

OPTIONAL

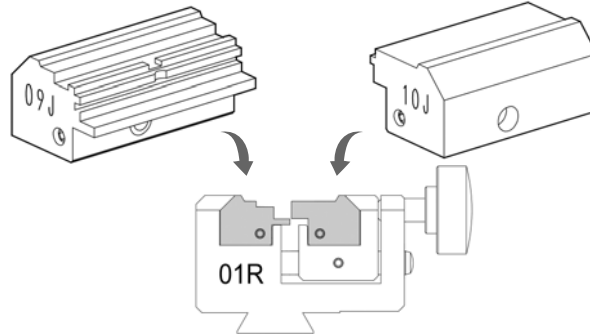


D743269ZB

09J Jaw
Ganascia 09J
09J Backe
Mâchoire 09J
Quijada 09J
Garra 09J

D743270ZB

10J Jaw
Ganascia 10J
10J Backe
Mâchoire 10J
Quijada 10J
Garra 10J



STANDARD

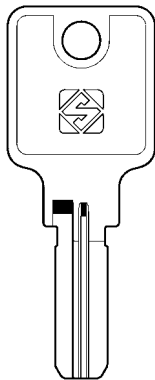


D742867ZB

Cutter 01D
Fresa 01D
Fräser 01D
Fraise 01D
Fresa 01D
Fresa 01D

PER:
FOR:

HUWIL (D)



HW15R

OPTIONAL

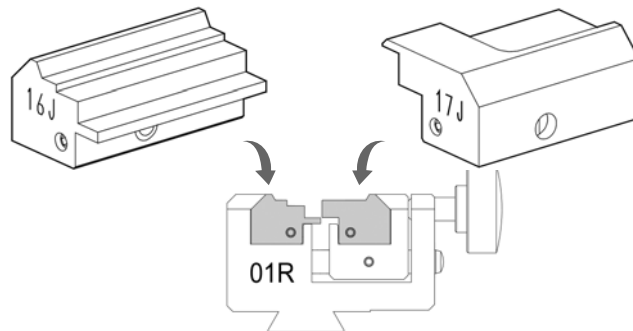


D743362ZB

16J Jaw
Ganascia 16J
16J Backe
Mâchoire 16J
Quijada 16J
Garra 16J

D743365ZB

17J Jaw
Ganascia 17J
17J Backe
Mâchoire 17J
Quijada 17J
Garra 17J



STANDARD

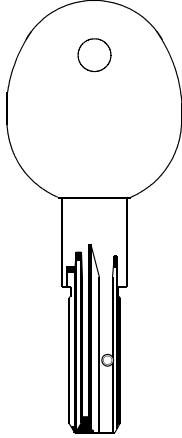


D742606ZB

Cutter 01L
Fresa 01L
Fräser 01L
Fraise 01L
Fresa 01L
Fresa 01L

PER:
FOR:

ISEO (I)



ISR100 WEB / R100 / R50

OPTIONAL



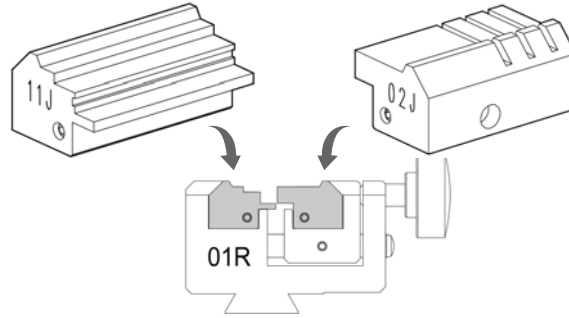
D743278ZB

11J Jaw
Ganascia 11J
11J Backe
Mâchoire 11J
Quijada 11J
Garra 11J

STANDARD D943254ZR



02J Jaw
Ganascia 02J
02J Backe
Mâchoire 02J
Quijada 02J
Garra 02J



STANDARD



D742867ZB

Cutter 01D
Fresa 01D
Fräser 01D
Fraise 01D
Fresa 01D
Fresa 01D

Codes tables protected by a password issued by Silca on receipt of the manufacturer's authorization.

Tabella codici protette da password rilasciata da Silca a fronte di autorizzazione del costruttore.

Code-Tabellen geschützt durch von Silca geliefertes Passwort auf Herstellersgenehmigung.

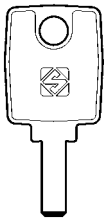
Tables de codes protégées par un password qui est émis par Silca sur autorisation du Constructeur.

Tablas codigos protegidos por password que expide Silca contra autorización del constructor.

Tabelas de códigos protegidas por uma password emitida por Silca contra autorização do fabricante.

PER:
FOR:

KABA (CH)



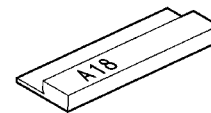
KA8
(KABA-MICRO)

OPTIONAL



D729845ZB

A18 adapter
Adattatore A18
Adapter A18
Adaptateur A18
Adaptador A18
Adaptador A18



STANDARD

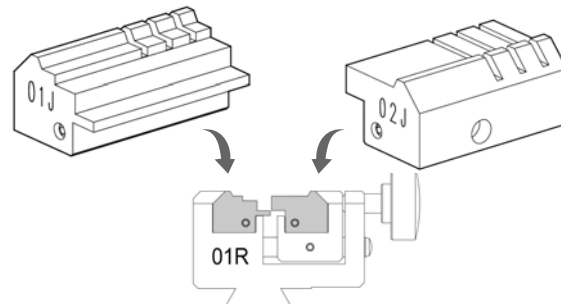


D943253ZR

01J Jaw
Ganascia 01J
01J Backe
Mâchoire 01J
Quijada 01J
Garra 01J

D943254ZR

02J Jaw
Ganascia 02J
02J Backe
Mâchoire 02J
Quijada 02J
Garra 02J



OPTIONAL

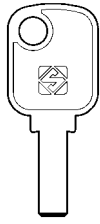


D743674ZB

Cutter 03D
Fresa 03D
Fräser 03D
Fraise 03D
Fresa 03D
Fresa 03D

PER:
FOR:

KYR (I)



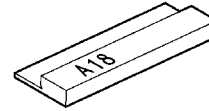
SCU1
SECURITAL

OPTIONAL



D729845ZB

A18 adapter
Adattatore A18
Adapter A18
Adaptateur A18
Adaptador A18
Adaptador A18



STANDARD

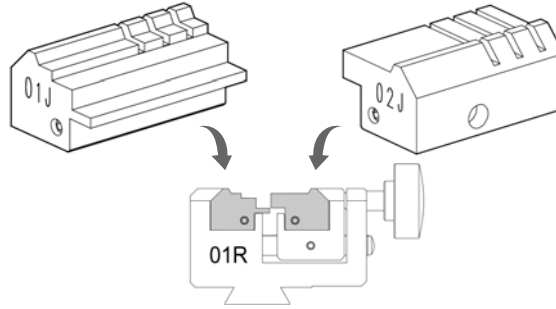


D943253ZR

01J Jaw
Ganascia 01J
01J Backe
Mâchoire 01J
Quijada 01J
Garra 01J

D943254ZR

02J Jaw
Ganascia 02J
02J Backe
Mâchoire 02J
Quijada 02J
Garra 02J



STANDARD

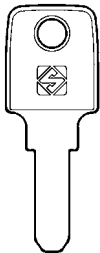


D742867ZB

Cutter 01D
Fresa 01D
Fräser 01D
Fraise 01D
Fresa 01D
Fresa 01D

PER:
FOR:

MERONI (I)



MER39
M4

OPTIONAL

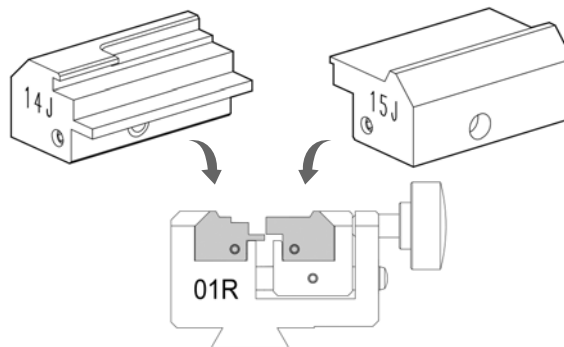


D743343ZB

14J Jaw
Ganascia 14J
14J Backe
Mâchoire 14J
Quijada 14J
Garra 14J

D743361ZB

15J Jaw
Ganascia 15J
15J Backe
Mâchoire 15J
Quijada 15J
Garra 15J



OPTIONAL

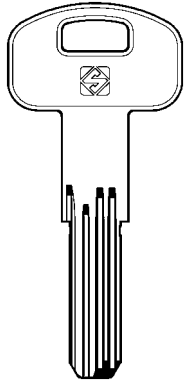


D743671ZB

Cutter 02L
Fresa 02L
Fräser 02L
Fraise 02L
Fresa 02L
Fresa 02L

PER:
FOR:

SECUREMME (I)



SCM2

K1

OPTIONAL



D743341ZB

13J Jaw
Ganascia 13J
13J Backe
Mâchoire 13J
Quijada 13J
Garra 13J

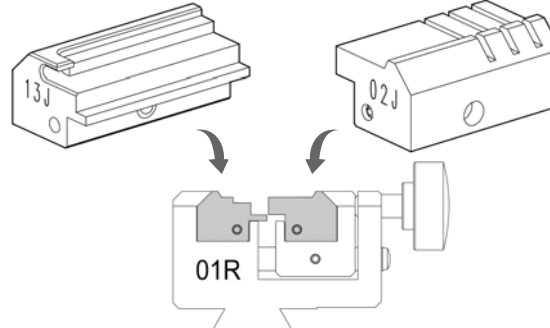


STANDARD



D943254ZR

02J Jaw
Ganascia 02J
02J Backe
Mâchoire 02J
Quijada 02J
Garra 02J



OPTIONAL

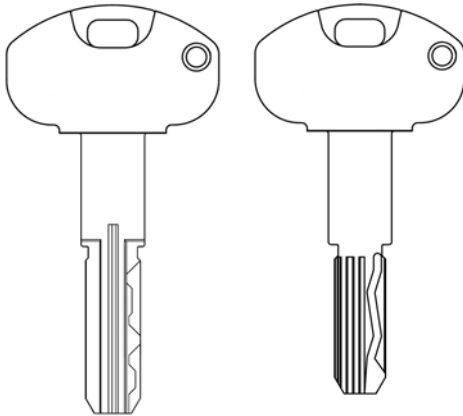


D743673ZB

Cutter 02D
Fresa 02D
Fräser 02D
Fraise 02D
Fresa 02D
Fresa 02D

PER:
FOR:

SECUREMME (I)



(K3)

5 pin

(K3)

5+5 pin

OPTIONAL



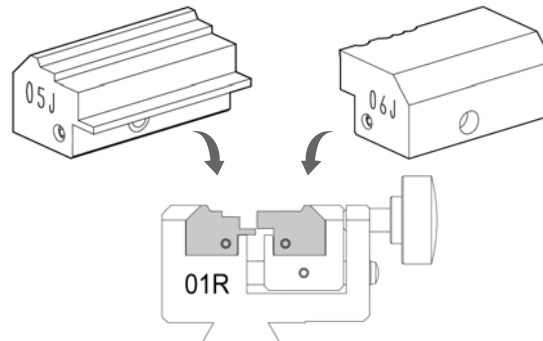
D743261ZB

05J Jaw
Ganascia 05J
05J Backe
Mâchoire 05J
Quijada 05J
Garra 05J



D743262ZB

06J Jaw
Ganascia 06J
06J Backe
Mâchoire 06J
Quijada 06J
Garra 06J



OPTIONAL

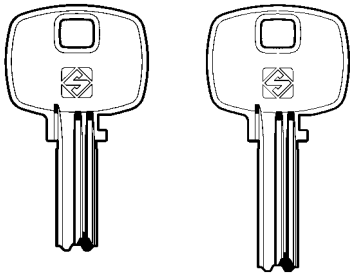


D743673ZB

Cutter 02D
Fresa 02D
Fräser 02D
Fraise 02D
Fresa 02D
Fresa 02D

PER:
FOR:

STS (E)



STS5

STS6

OPTIONAL



D743340ZB

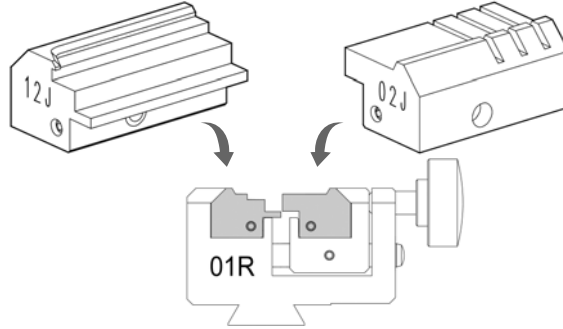
12J Jaw
Ganascia 12J
12J Backe
Mâchoire 12J
Quijada 12J
Garra 12J

STANDARD



D943254ZR

02J Jaw
Ganascia 02J
02J Backe
Mâchoire 02J
Quijada 02J
Garra 02J



STANDARD



D742867ZB

Cutter 01D
Fresa 01D
Fräser 01D
Fraise 01D
Fresa 01D
Fresa 01D

PER:
FOR:

AUDI (D)
FORD (D)
PORSCHE (D)
SEAT (E)
SKODA (CZ)
VOLKSWAGEN (D)



HU66MH

HU66P

HU66AT5

HU66AT6

HU66EHP

HU66T5

HU66T6

HU66T10

HU66CT5

HU66T15

HU66DT5

HU66FH

HU66T23

HU66CT6

HU66T26

HU66BT1

HU75T

HU66T28

HU66BT15

HU66TE

HU66BT28

HUF (D) - WITTE (D)

OPTIONAL



D743255ZB

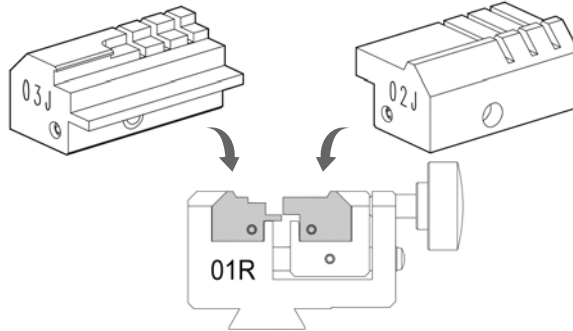
03J Jaw
Ganascia 03J
03J Backe
Mâchoire 03J
Quijada 03J
Garra 03J

STANDARD



D943254ZR

02J Jaw
Ganascia 02J
02J Backe
Mâchoire 02J
Quijada 02J
Garra 02J



STANDARD



D742606ZB

Cutter 01L
Fresa 01L
Fräser 01L
Fraise 01L
Fresa 01L
Fresa 01L

FUTURA



PER:
FOR:

BMW (D)



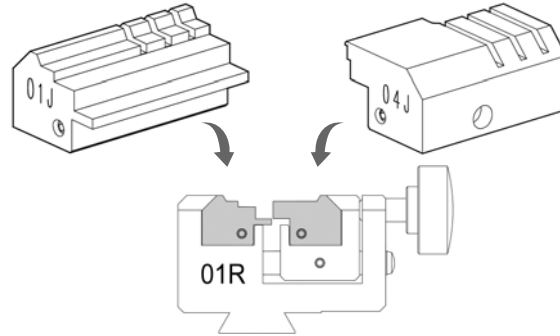
HU92RP HU92RKP HU92RMH

STANDARD



D943253ZR

01J Jaw
Ganascia 01J
01J Backe
Mâchoire 01J
Quijada 01J
Garra 01J



OPTIONAL



D743256ZB

04J Jaw
Ganascia 04J
04J Backe
Mâchoire 04J
Quijada 04J
Garra 04J

STANDARD



D742606ZB

Cutter 01L
Fresa 01L
Fräser 01L
Fraise 01L
Fresa 01L
Fresa 01L

PER:
FOR:

CITROËN (F)

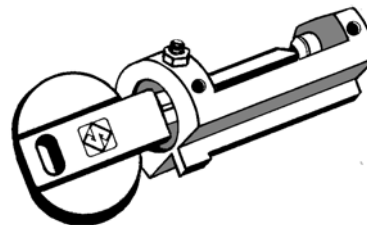


SX9CP SX9GP SX9T14 SX9MH

SX9AP SX9T6
SX10BP SX9TE
SX11BP
SX9EHP

VALEO - SIMPLEX (F)

OPTIONAL

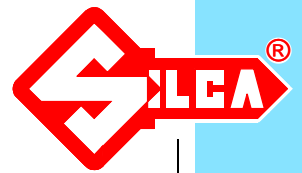


D708040ZB

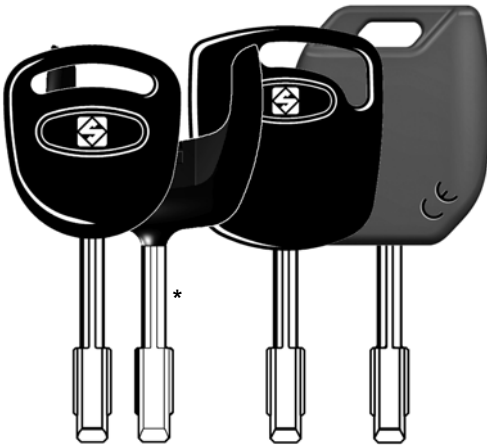
Code adaptor B6 for SIMPLEX
Adattatore B6 a codice per chiavi SIMPLEX
Code-Adapter B6 für SIMPLEX Schlüssel
Adaptateur B6 à code pour clés SIMPLEX
Adaptador B6 a código para llaves SIMPLEX
Adaptador B6 por código para chaves SIMPLEX



FUTURA



PER:
FOR: **FORD (EU+USA)**



FO21P FO21AP FO21T3 FO21MH
FO21T3M
FO21T7
FO21T17
FO21TE
FO21FH

FO21EH1
FO21EH2

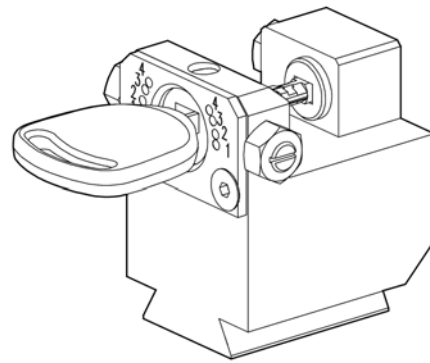
* **IMPORTANT!** Key blank to be applied to the original remote control (the remote control includes the transponder chip)

TIBBE (D)
VALEO (F)

OPTIONAL



D743276ZB
03R Clamp
Morsetto 03R
03R Spannbacke
Etau 03R
Mordaza 03R
Mordente 03R

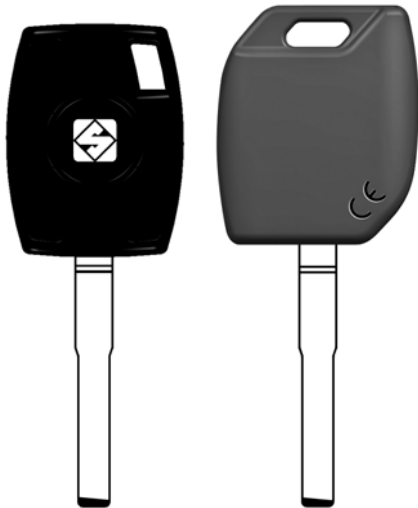


STANDARD



D742606ZB
Cutter 01L
Fresa 01L
Fräser 01L
Fraise 01L
Fresa 01L
Fresa 01L

PER:
FOR: **HUF (D)**



HU101T17
HU101T20
HU101TE

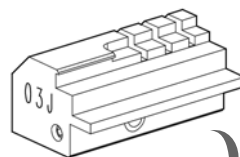
HU101MH

HU101T
HU101AP
HU101EH
HU101FH

OPTIONAL



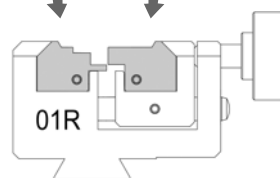
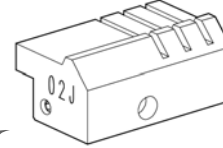
D743255ZB
03J Jaw
Ganascia 03J
03J Backe
Mâchoire 03J
Quijada 03J
Garra 03J



STANDARD



D943254ZR
02J Jaw
Ganascia 02J
02J Backe
Mâchoire 02J
Quijada 02J
Garra 02J



STANDARD



D742606ZB
Cutter 01L
Fresa 01L
Fräser 01L
Fraise 01L
Fresa 01L
Fresa 01L



PER:
FOR: **MERCEDES (D)**



HU41P

HU55P

HU64P

HU61AP

HU64T

HU65AP

HUF (D)

STANDARD



D943253ZR

01J Jaw
Ganascia 01J
01J Backe
Mâchoire 01J
Quijada 01J
Garra 01J

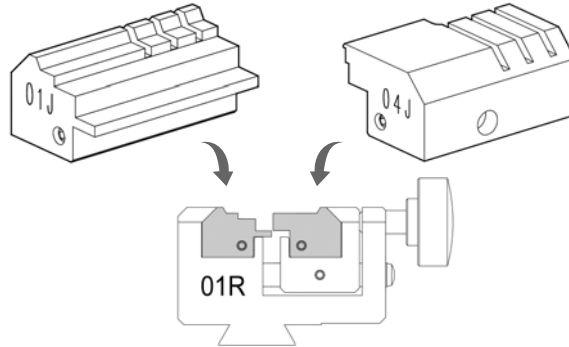


OPTIONAL



D743256ZB

04J Jaw
Ganascia 04J
04J Backe
Mâchoire 04J
Quijada 04J
Garra 04J



STANDARD



D742606ZB

Cutter 01L
Fresa 01L
Fräser 01L
Fraise 01L
Fresa 01L
Fresa 01L

PER:
FOR: **TUBULAR KEYS
CHIAVI TUBOLARI
STECKSCHLÜSSEL
CLÉS TUBULAIRES
LLAVES TUBOLARES**

AGA (E)
BILMA (E)

BIL1T

CHICAGO (USA)

CH9T
CH16T (9.2)
CH17T (10)

L&F (GB)
KENSTAN (USA)

CH9T

MERONI (I)

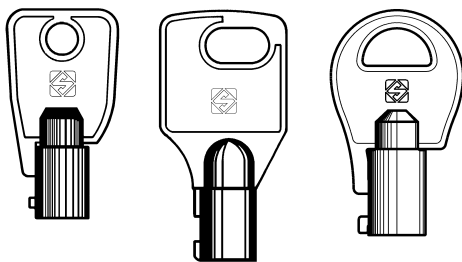
MER22T (9.50)
MER25T (9.50)

P.CORTELLEZZI (I)

PC12T (9.60)
PC12TP (9.60)
PC15T (9.60)
PC15TP (9.60)

SILCA (I)

SLC1TP (9.60)
SLC2TP (9.60)



CH9T

MER22T

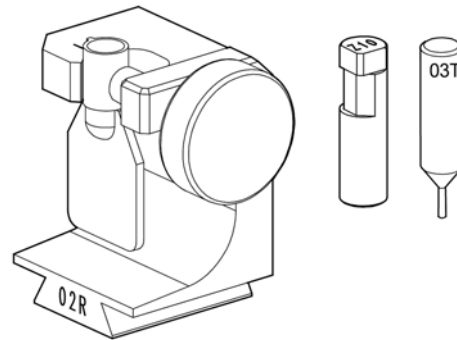
BIL1T

OPTIONAL



D743275ZB

02R Clamp
Morsetto 02R
02R Spannbacke
Etau 02R
Mordaza 02R
Mordente 02R



OPTIONAL



D743672ZB

Cutter 03L
Fresa 03L
Fräser 03L
Fraise 03L
Fresa 03L
Fresa 03L